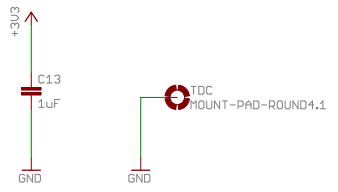
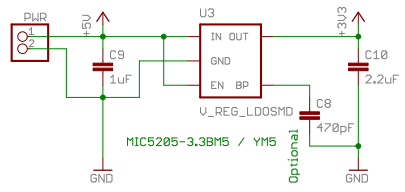


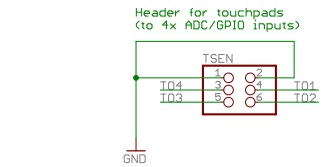
This board is 1/4 (90 deg) of an annular arrangement. The outline of the brd is set up (in-place) using the nkboard.pl script.

TITLE: CC ColourClock PCB	
Document Number:	REV: A
Date: 18/03/2018 18:38	Sheet: 1/1

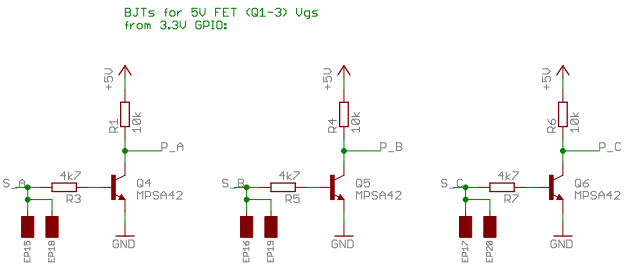
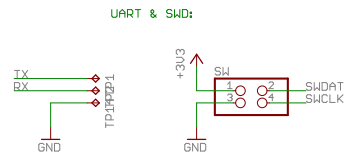
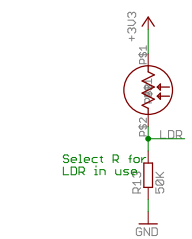
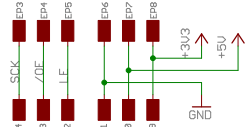
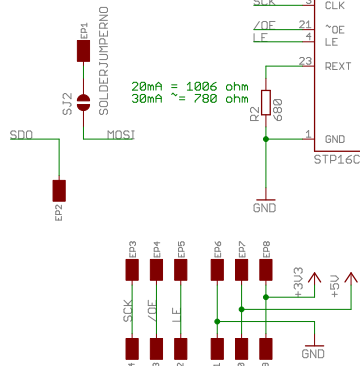
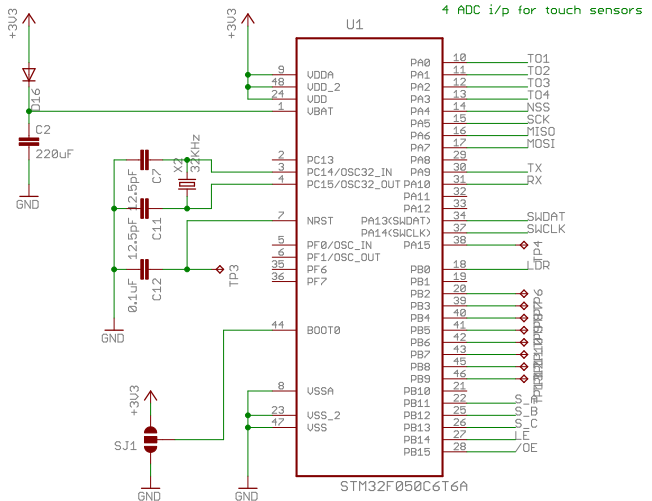
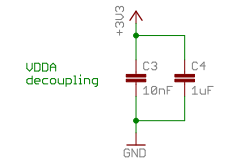
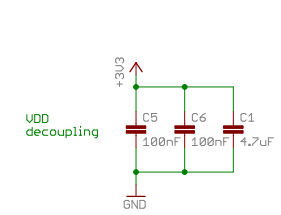
Copyright (C) 2014 Matt Evans // www.axio.ms



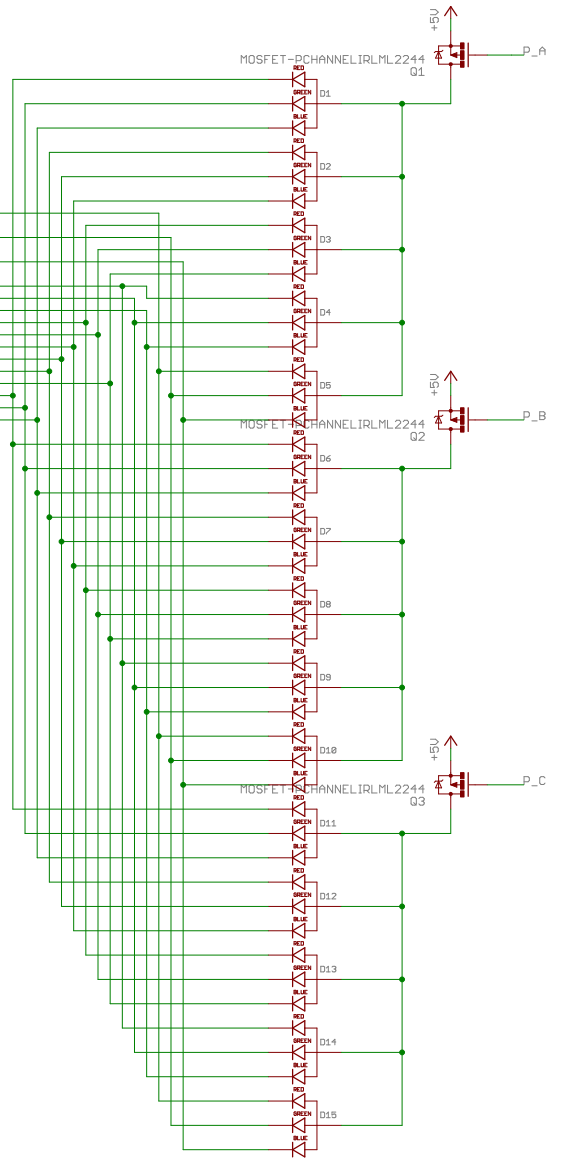
SOT23 FETs should be good for 4A, ~1A at 33% duty should be fine



STM32F050C6T6A pinout options:
 TX/RX = 12/13, 30/31, 37/38
 adc_10-19
 14/25/38 NSS
 15/26/39 SCK
 16/27/40 MISO
 17/28/41 MOSI



^ overkill: should just export P_A, P_B, P_C inter-board.



A
B
C
D
E
F

A
B
C
D
E
F